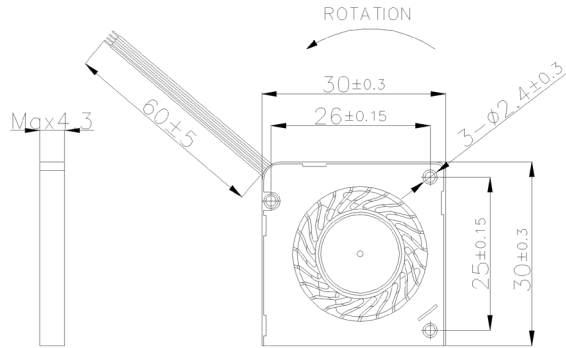
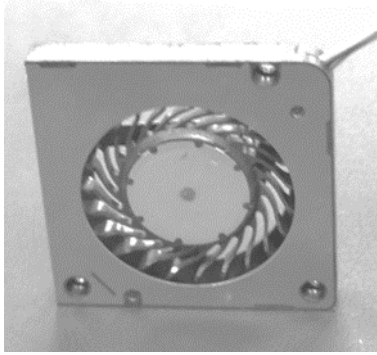
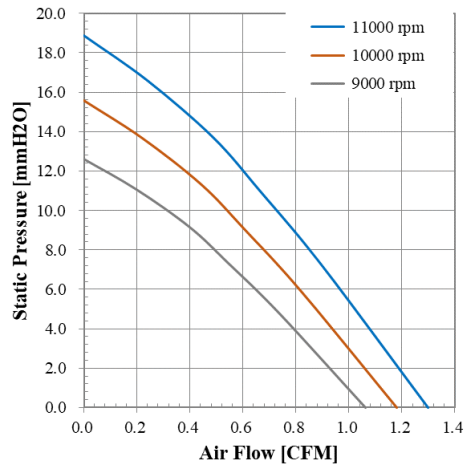


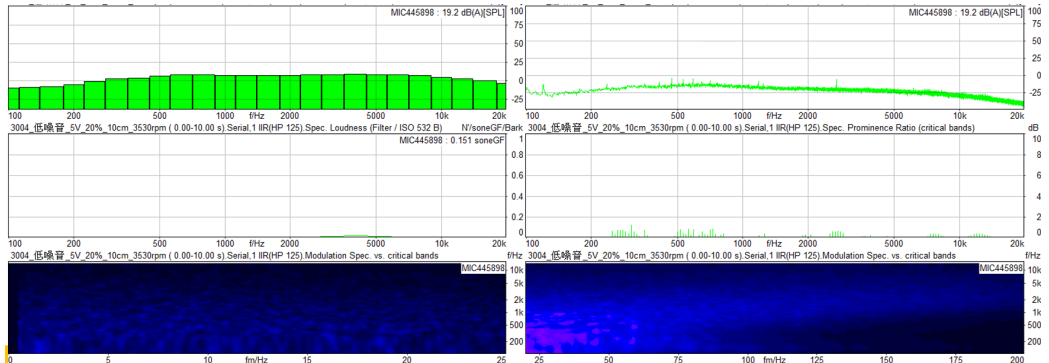
iMiNi Fan 30*30*4 MM Series



Housing : Plastic (UL 94V-0)
Blade : Plastic (UL 94V-0)
Bearing : Sleeve bearing
Operating temp : -10 ~ 60 °C
Mass : 5.6g



20% Duty Speed Sound Quality Spectrum



| Product Type | Model No. | | Control Type | Bearing Type | Rated Voltage | Operating Voltage Range | Operating Temp. | Speed | Input Current | Input Power | Maximum Air Flow | | Maximum Air Pressure | | Noise |
|------------------------|-----------|--------|--------------|--------------|---------------|-------------------------|-----------------|-------|---------------|-------------|------------------|-------|----------------------|-------|-------|
| | | | | | VDC | VDC | °C | | | | R.P.M | Amp | Watt | CFM | |
| iMiNi 3004 鼓風扇 | M1B3040H | HC4010 | +/-FG/PWM | Hydraulic | 5 | 3.5~5.5 | -40~60 | 11000 | 0.38 | 1.88 | 1.30 | 36.76 | 184.7 | 18.85 | 46.5 |
| | M1B3040H | HC4020 | +/-FG/PWM | Hydraulic | 5 | 3.5~5.5 | -40~60 | 10000 | 0.26 | 1.30 | 1.18 | 33.41 | 152.7 | 15.58 | 44.0 |
| | M1B3040H | HC4030 | +/-FG/PWM | Hydraulic | 5 | 3.5~5.5 | -40~60 | 9000 | 0.18 | 0.92 | 1.06 | 30.07 | 123.7 | 12.62 | 42.2 |
| iMiNi 3004 IP68 鼓風扇 | M1B3040H | HC4110 | +/-FG/PWM | Hydraulic | 5 | 3.5~5.5 | -40~60 | 11000 | 0.38 | 1.88 | 1.30 | 36.76 | 184.7 | 18.85 | 46.5 |
| | M1B3040H | HC4120 | +/-FG/PWM | Hydraulic | 5 | 3.5~5.5 | -40~60 | 10000 | 0.26 | 1.30 | 1.18 | 33.41 | 152.7 | 15.58 | 44.0 |
| | M1B3040H | HC4130 | +/-FG/PWM | Hydraulic | 5 | 3.5~5.5 | -40~60 | 9000 | 0.18 | 0.92 | 1.06 | 30.07 | 123.7 | 12.62 | 42.2 |